


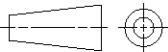
LOC		DIST		REVISIONS			
P	LTR REV	DESCRIPTION MODIFICATIONS		DATE	DWN DESS.	APVD APP.	
F	7						

VOIR PLAN C-136499

RELEASED FOR PUBLICATION  
LIBRE A LA DIFFUSION

THIS DRAWING IS UNPUBLISHED.  
DIFFUSION RESTREINTE AMP

BY AMP INCORPORATED. ALL RIGHTS RESERVED.  
TOUS DROITS RESERVES.

DIMENSIONS: mm		DWN /DESSINE G. ROBERT	14AVR 98	MATERIAL MATIERE	-	FINISH FINITION	-	
TOLERANCES UNLESS OTHERWISE SPECIFIED: TOLERANCES NON SPECIFIEES (SUIV NB DE DECIMALES): 0 PLC /DEC: ± 1 PLC /DEC: ±0.1 2 PLC /DEC: ±0.01 3 PLC /DEC: ±0.001 4 PLC /DEC: ±0.0001 ANGLES ±-		CHK /VERIFIE G. ROBERT	-	 AMP DE FRANCE 95301 PONTOISE				
		APVD /APPROUVE Y. PETRONIN	-					
		PRODUCT SPEC SPEC. PRODUIT	-	NAME TITRE CAPOT PLASTIQUE HD				
		APPLICATION SPEC SPEC. APPLICATION	-	SIZE FORMAT A4	CAGE CODE 00779	DRAWING NO No PLAN C=136500	RESTRICTED TO RESERVE A -	
WEIGHT MASSE APPROX.		-	UNIQUEMENT POUR REFERENCE					SCALE ECHELLE
CUSTOMER DRAWING /PLAN CLIENT			DRAWING SCALE FEUILLE		SHEET OF FEUILLE DE		REV 0	